

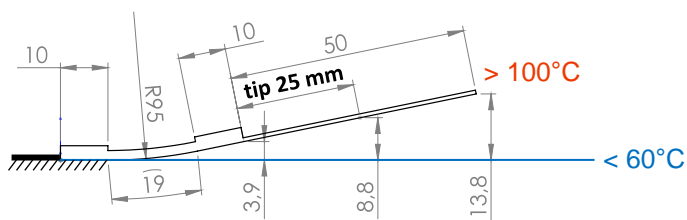
# Datasheet Actuator: *Curve*® plugged A1920E20

- Active length: **19 mm**
- Module size: 39 mm x 20 mm x 2.5 mm
- Bending: medium (**E20**)
- Weight: 2.6 g + hosting structure
- Hosting structure: steel + rivets, **tip 25 mm**  
size 74 x 20 x 0.45 mm<sup>3</sup>
- Load range with high cycling stability (> 300.000)

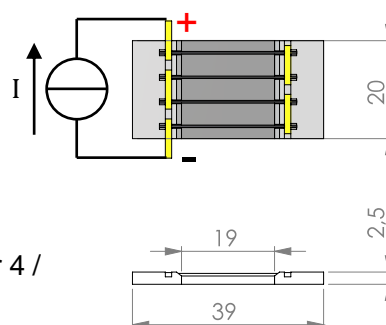
at module edge: 1200 g  
**at 25 mm: 650 g**  
 at 50 mm: 440 g

- Operating mode: **plugged**
- Thermal activation by: resistive heating
- Electronic circuit: all wires in series
- Resistivity: 0.4 Ohm
- Full Activation (DC): e.g. 3 A for 15 s / 4 A for 4 /  
5 A for 1.3 s

## Actuator A1920E20



## M1920E20 – Actuator Module only



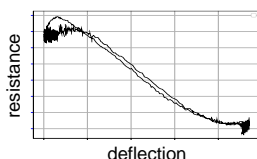
© CompActive GmbH

All values are only estimations!

## Customized, high-performance actuators by ...

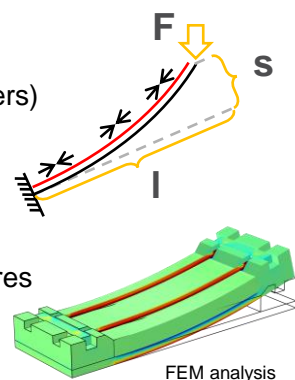
### ... high-tech solutions

- reliable load transfer
- proven cycle stability
- injection molded frame elements
- special SMA material specifications
- high temperature FRP
- self-sensing capability



### ... individual design

- substrate (metals, polymers)
- size
- deflection
- load / cycles
- wire material / temperatures
- electrical resistance



### ... customized mechanical fixation

- adhesive films
- liquid adhesives
- bolts, rivets, screws
- plug-on

### ... various electrical connection

- crimping
- soldering
- plugging in
- welding



© CompActive GmbH